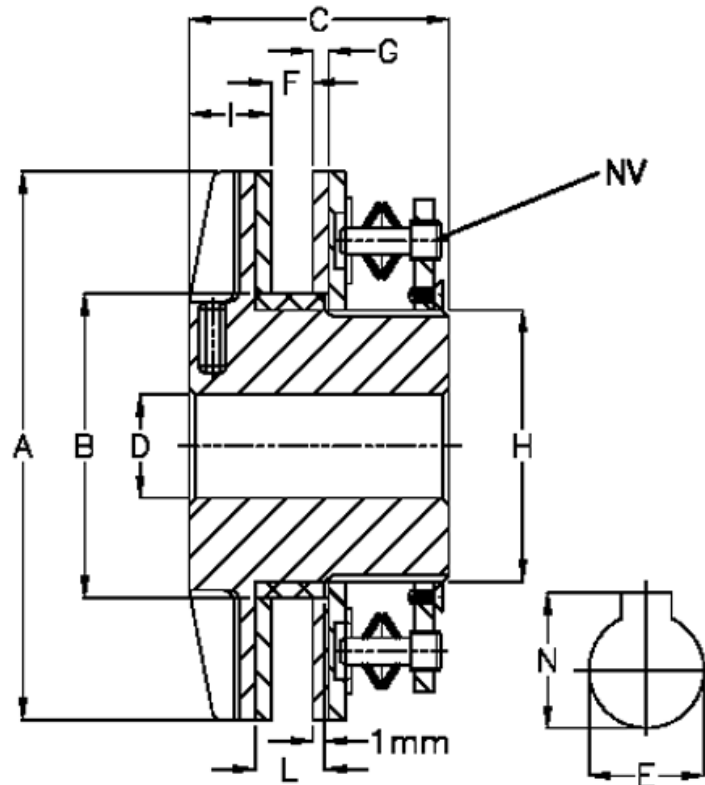


Article number: 46100006

Description: Securex torque limiter T 10000/280

Measures



A = 280	L	= 32
B = 170	Largest possible bore with slot according to DIN 6885/1, E max = 120	
C = 120	Largest possible bore with slot according to DIN 6885/1, N	= 127.4
D = 48	Largest possible bore with slot according to DIN 6885/3, E max = 0	
F = 29	Largest possible bore with slot according to DIN 6885/3, N	= 0
G = 5	Max torque Nm	= 10000
H = 155	Number of springs	= 32
I = 33	NV	= 10